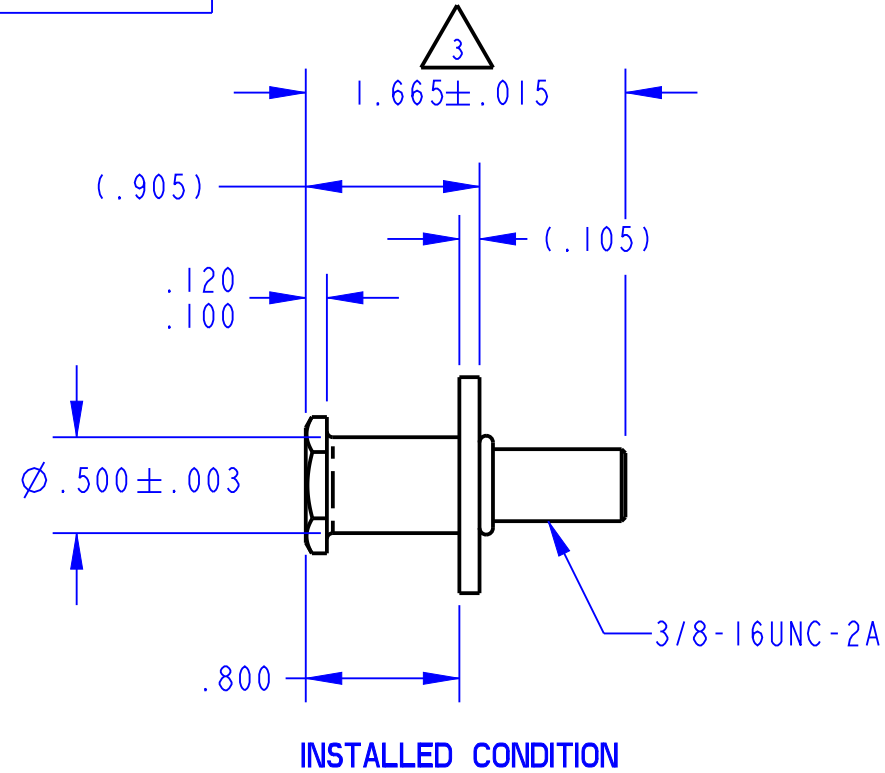
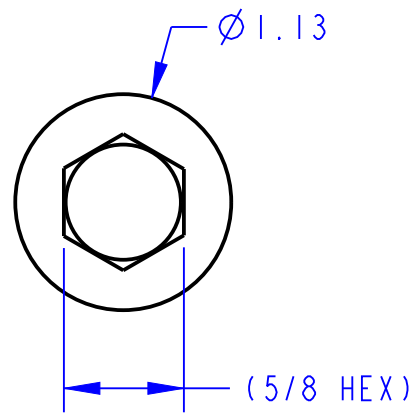
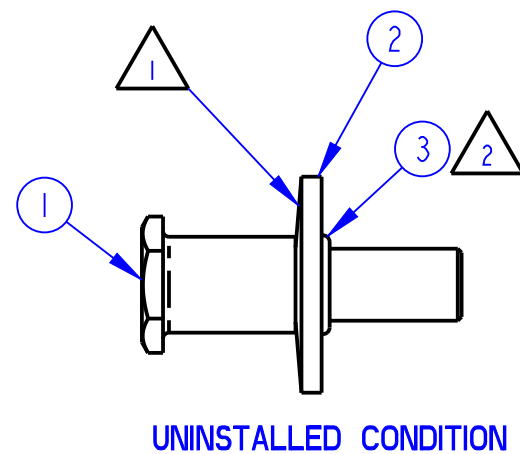


PART NUMBER				PACKAGING				REVISION	ECO	BY	CHECKED	DESCRIPTION
10335-16				STANDARD PACKAGING				13	19703	MLH 9/29/03	GDE 9/29/03	REVISED TO NEW STANDARD
10335-16-BX				SPECIAL PACKAGING 160 PCS/BOX								



NOTES:

- WASHER ORIENTATION IMPORTANT.
- FUNCTION OF O-RING (LOCATED APPROXIMATELY AS SHOWN) IS TO RETAIN THE WASHER UNTIL THE STRIKER BOLT IS INSTALLED.
- DIMENSION INDICATES BLANK SIZE PRIOR TO ROLLING THREADS.
- 4. PLATED THREADS TO BE INSPECTED WITH A 3/8-16 3A GO RING GAUGE.
- 5. INSTALLATION TORQUE 35 FT-LBS MINIMUM DEPENDING UPON SURFACE CONDITION OF THREADS.



● INDICATES REQUIRED ASSEMBLY INFORMATION.

DRAWN BY	KPE	5/22/87	MATERIAL													
CHECKED BY	KER	5/26/87	HEAT TREAT													
DESIGN ENG.			FINISH													
PROD. MNGR.			PROJECT	CUSTOMER	CUSTOMER PART NUMBER											
<p>TOLERANCES UNLESS OTHERWISE SPECIFIED ASME Y14.5M-1994</p> <table border="1"> <thead> <tr> <th>INCH</th> <th>MILLIMETER</th> </tr> </thead> <tbody> <tr> <td>X.X = ±.1</td> <td>X = ±.3</td> </tr> <tr> <td>X.XX = ±.03</td> <td>X.X = ±.8</td> </tr> <tr> <td>X.XXX = ±.010</td> <td>X.XX = ±.25</td> </tr> </tbody> </table> <p>ANGLES</p> <table border="1"> <tbody> <tr> <td>X° = ±3°</td> </tr> <tr> <td>X.X° = ±1.0°</td> </tr> <tr> <td>X.XX° = ±.50°</td> </tr> </tbody> </table>			INCH	MILLIMETER	X.X = ±.1	X = ±.3	X.XX = ±.03	X.X = ±.8	X.XXX = ±.010	X.XX = ±.25	X° = ±3°	X.X° = ±1.0°	X.XX° = ±.50°	LP7125		
INCH	MILLIMETER															
X.X = ±.1	X = ±.3															
X.XX = ±.03	X.X = ±.8															
X.XXX = ±.010	X.XX = ±.25															
X° = ±3°																
X.X° = ±1.0°																
X.XX° = ±.50°																
<p>DO NOT SCALE DRAWING</p>			SIZE	PART WEIGHT	SURFACE AREA	PRODUCT CODE										
			B	(.10 LBS)		G01 (070-0100)										
			REF. T/M OP 4.20-2 FOR SUP. QUALITY REQ. - REF. T/M OP 4.20-3 FOR INT. QUALITY REQ.			DESCRIPTION										
						ASSY, BLT/WSHR, .905SHLDR, 3/8-16										
			SCALE	REVISION	TYPE	PART NUMBER										
			FULL	13		10335-XX										



500 Bailey Avenue  
P. O. Box 350  
New Hampton, Iowa 50659 U.S.A.  
Tel: 641-394-3188  
Fax: 641-394-2392

This drawing and the information contained herein is the property of TriMark Corporation and shall not be used for any purpose without our written consent.