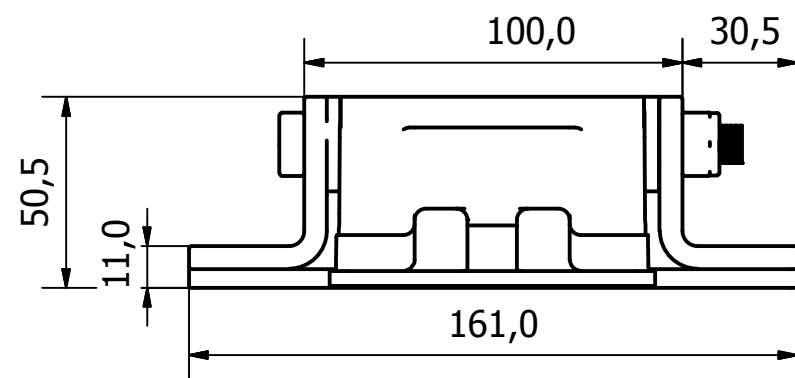
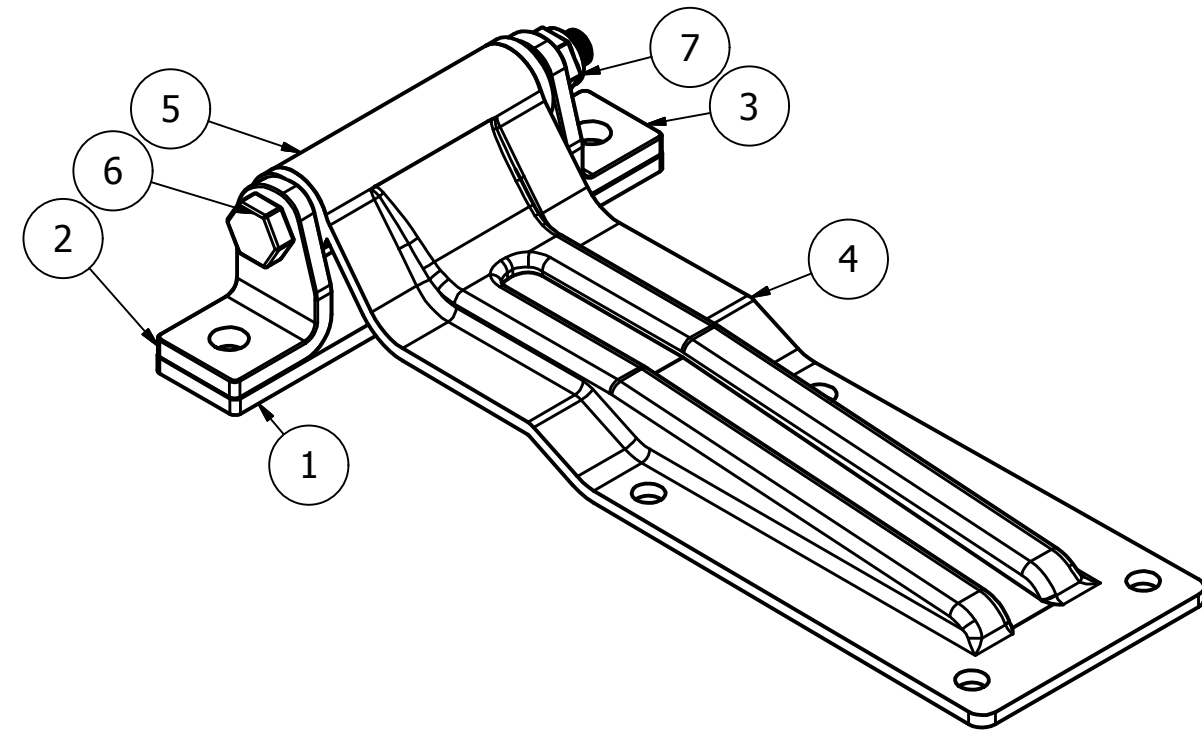


PARTS LIST			
ITEM	QTY	PART NUMBER	DESCRIPTION
1	1	9810-572-1	S/STEEL HINGE MOUNTING PLATE
2	1	9810-572-2	S/STEEL 90 DEG HINGE MOUNTING PLATE - RH
3	1	9810-572-3	S/STEEL 90 DEG HINGE MOUNTING PLATE - LH
4	1	9810-572-4	S/STEEL MOUNTING PLATE
5	2	9810-572-5	NYLON BUSH
6	1	9810-572-6	S/STEEL M10 BOLT
7	1	9810-572-7	S/STEEL M10 NYLOC NUT



PART No.	MATERIAL	FINISH
9810/571	MILD STEEL	Z/C PASSIVATE
9810/572	T304 S/STEEL	MIRROR POLISH

GENERAL TOLERANCES ON LENGTHS  
 0.5 - 6 ± 0.1mm  
 6 - 30 ± 0.2mm  
 30 - 120 ± 0.3mm  
 120 - 400 ± 0.5mm  
 400 - 1000 ± 0.8mm  
 1000 - 1200 ± 1.2mm  
 2000 - 4000 ± 2.0mm

ALBERT JAGGER LTD  
 GREEN LANE  
 WALSALL PHONE: 01922 471000  
 WEST MIDLANDS FAX: 01922 648021  
 WS2 8HG

THIS DRAWING & THE DESIGN SHOWN ARE THE PROPERTY OF ALBERT JAGGER LTD AND MUST NOT BE USED OR COPIED BY A THIRD PARTY WITHOUT PERMISSION

DRAWN BY  
U.F

CHECKED BY  
A.P

SCALE  
1 : 2

MATERIAL  
SEE NOTE

MASS  
1.749 kg

FINISH  
SEE NOTE

Date  
10/03/2017

ALL DIMS IN MM UNLESS STATED DO NOT SCALE

1  
REV

VALIDATION COMPLETE

29/03/17

A.P  
APPROVED



REAR VAN DOOR HINGE - 270 DEG OPENING

9810-572

Edition  
1

Sheet  
1 / 1