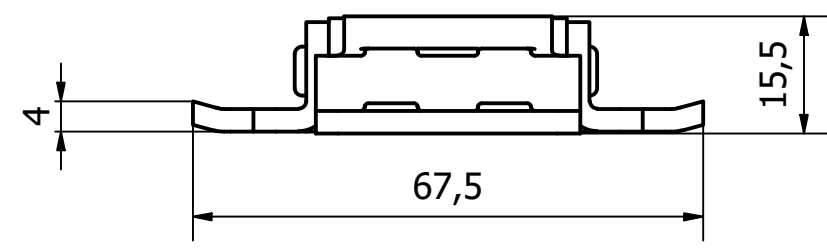
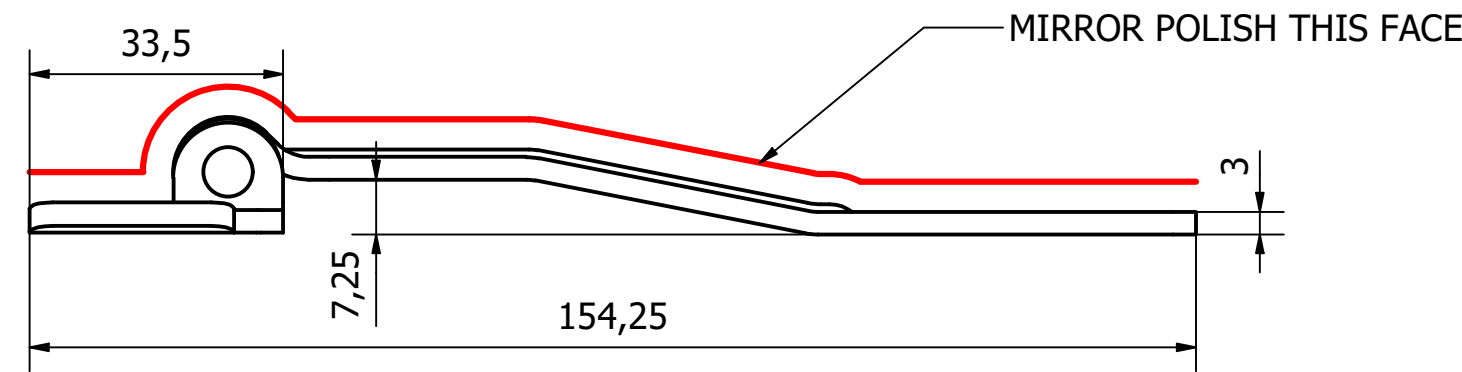
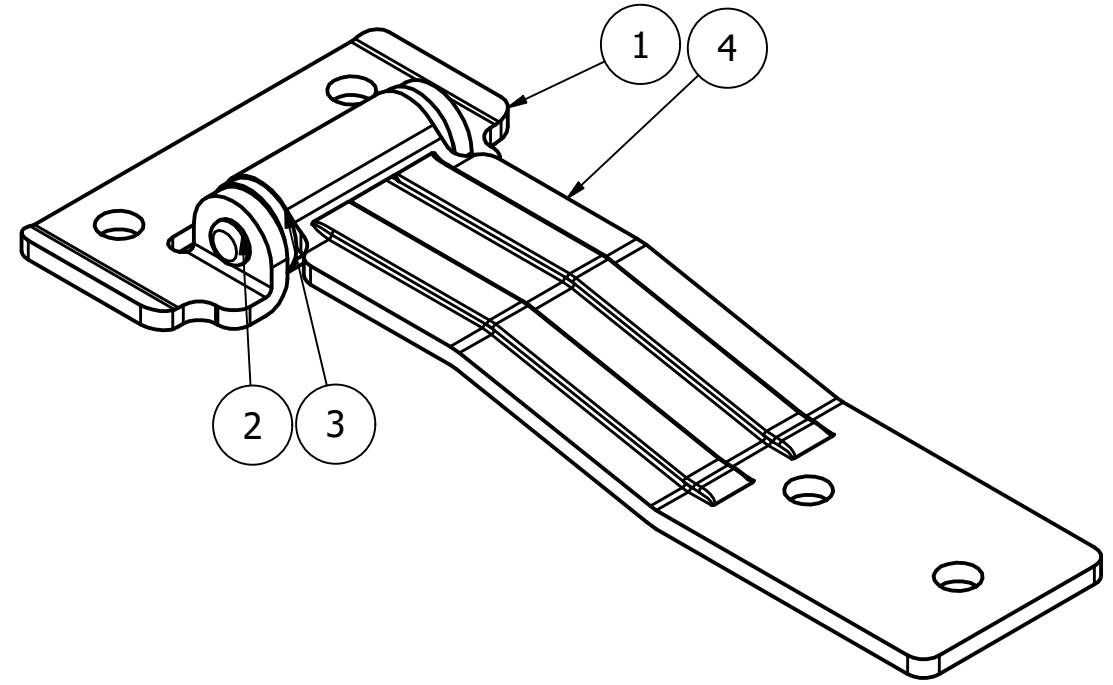
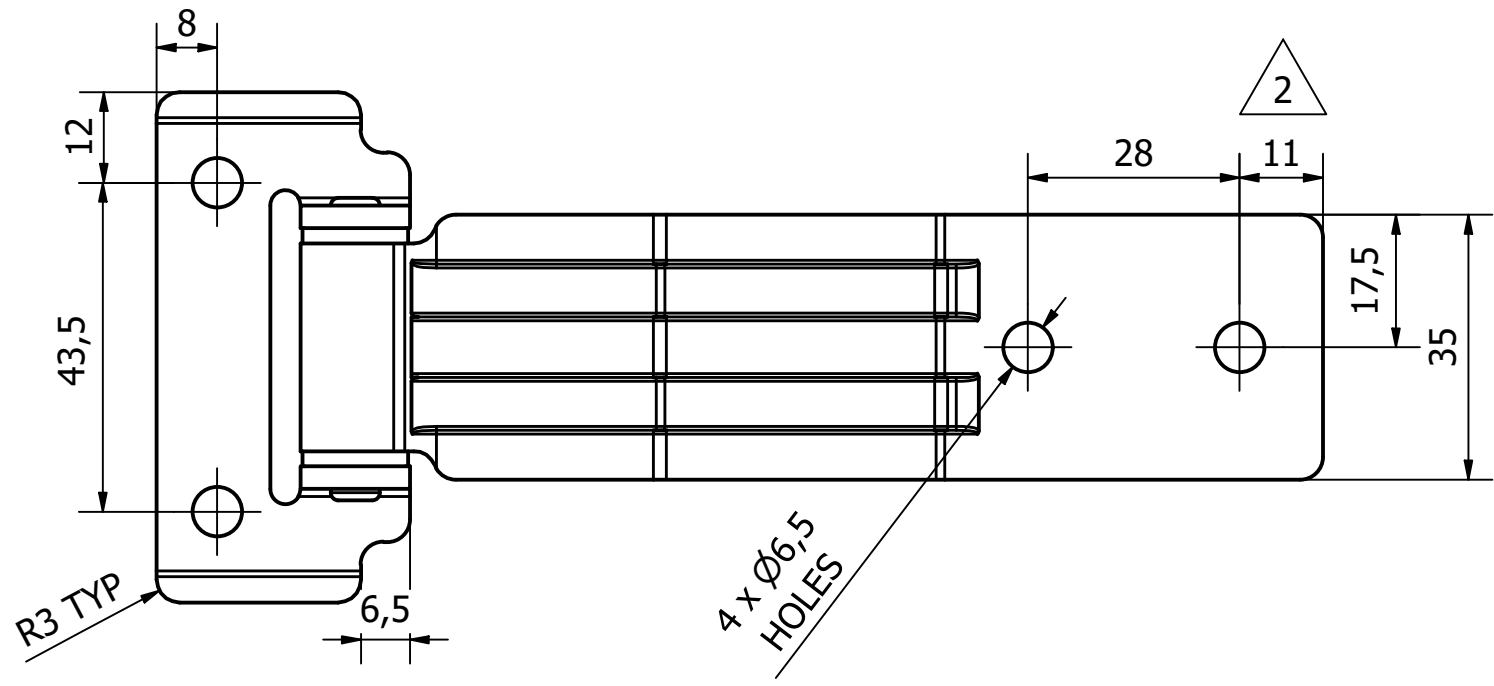


ITEM	QTY	PART NUMBER	DESCRIPTION
1	1	9810-6150-1	HINGE BASE PLATE - T304
2	1	9810-6150-2	HINGE PIN T304 - 40 O/A
3	2	NYLON BUSH - 14 O-D	HINGE BUSH
4	1	9810-6150-3	SS HINGE MAIN PLATE - T304



REV	DESCRIPTION	DATE	APPROVED
2	DIMENSION UPDATED	13/08/21	U.F
1	VALIDATION COMPLETE	14/10/16	A.P

NOTE:  
HINGE DESIGNED FOR 180° APPLICATIONS  
BUT CAN ROTATE THROUGH TO 270°

GENERAL TOLERANCES ON LENGTHS
0.5 - 6 ± 0.1mm
6 - 30 ± 0.2mm
30 - 120 ± 0.3mm
120 - 400 ± 0.5mm
400 - 1000 ± 0.8mm
1000 - 1200 ± 1.2mm
2000 - 4000 ± 2.0mm

ALBERT JAGGER LTD  
GREEN LANE  
WALSALL PHONE: 01922 471000  
WEST MIDLANDS FAX: 01922 648021  
WS2 8HG  
THIS DRAWING & THE DESIGN SHOWN  
ARE THE PROPERTY OF ALBERT JAGGER LTD  
AND MUST NOT BE USED OR COPIED BY A  
THIRD PARTY WITHOUT PERMISSION

DRAWN BY  
U.F

CHECKED BY  
A.P

THIRD ANGLE PROJECTION

SCALE  
1 : 1

MATERIAL  
-

MASS  
0.180 kg

FINISH  
SEE NOTE

Date  
26/09/2016

ALL DIMS IN MM  
UNLESS STATED  
DO NOT SCALE

A3



S/S PRESSED DOOR HINGE - T304  
9810-6150  
Edition 2  
Sheet 1 / 1