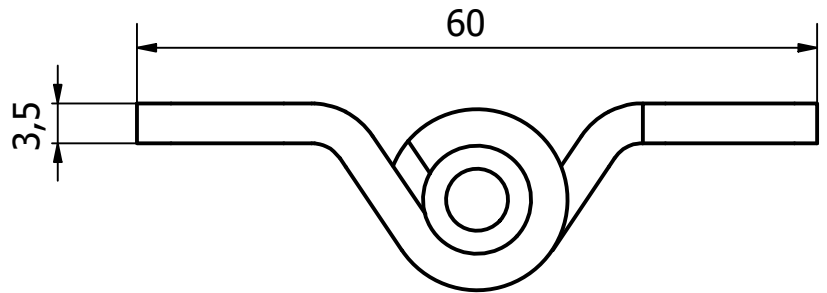


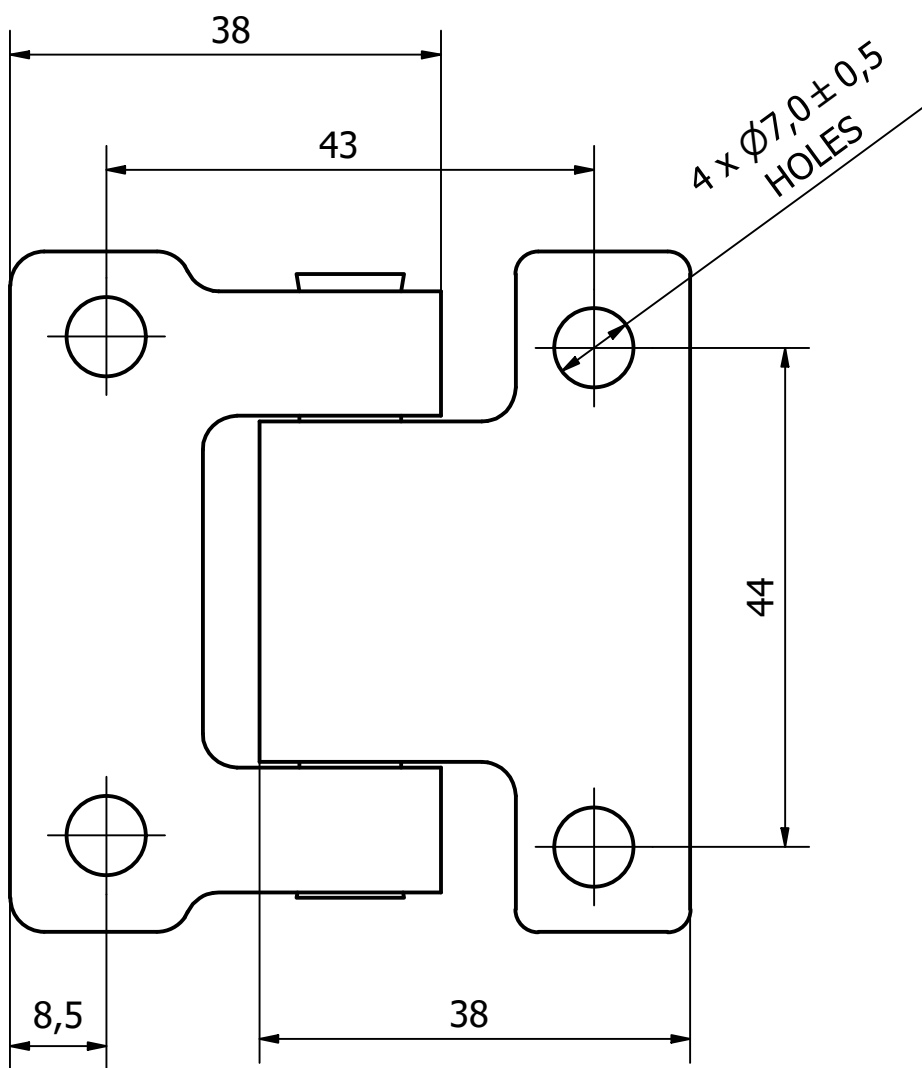
6 1 5 1 4 3 1 2 1 1

PARTS LIST			
ITEM	QTY	PART NUMBER	DESCRIPTION
1	1	9810-63301-1	HINGE BASE
2	1	9810-63301-2	HINGE PIN - 55 O/A
3	1	9810-63301-3	HINGE MOUNTING PLATE

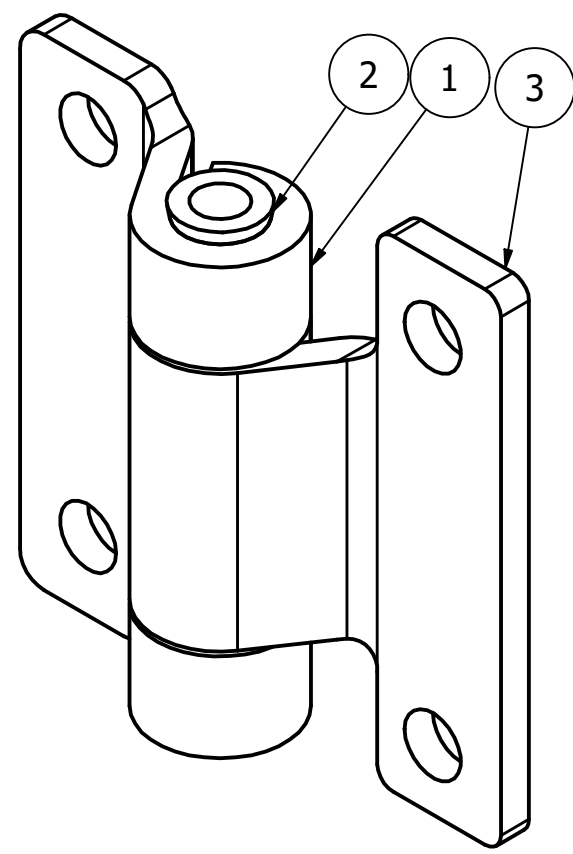
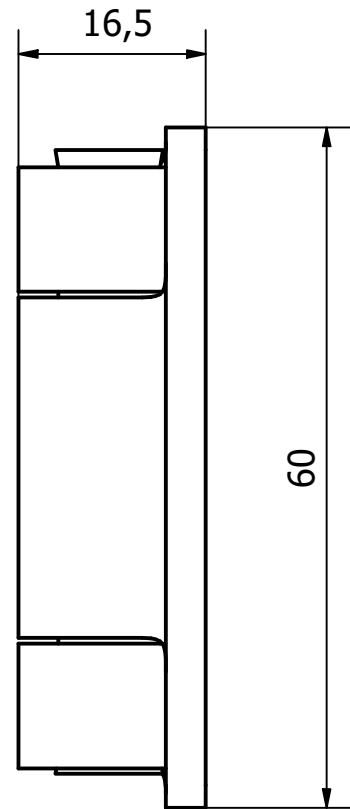
D



C



4 x Ø7,0 ± 0,5 HOLES



B

REV	DESCRIPTION	DATE	APPROVED
2	HINGE DIMENSIONS UPDATED	21/07/22	U.F
1	VALIDATION COMPLETE	14/10/16	A.P

NOTE:
HINGE DESIGNED FOR 180° APPLICATIONS
BUT CAN ROTATE THROUGH 270°

GENERAL TOLERANCES ON LENGTHS	
0.5 - 6 ± 0.1mm	
6 - 30 ± 0.2mm	
30 - 120 ± 0.3mm	
120 - 400 ± 0.5mm	
400 - 1000 ± 0.8mm	
1000 - 1200 ± 1.2mm	
2000 - 4000 ± 2.0mm	

ALBERT JAGGER LTD
GREEN LANE
WALSALL PHONE: 01922 471000
WEST MIDLANDS FAX: 01922 648021
WS2 8HG

THIS DRAWING & THE DESIGN SHOWN
ARE THE PROPERTY OF ALBERT JAGGER LTD
AND MUST NOT BE USED OR COPIED BY A
THIRD PARTY WITHOUT PERMISSION

DRAWN BY
U.F

CHECKED BY
A.P



SCALE
1.5 : 1

MATERIAL
-

MASS
0.142 kg

FINISH
SEE NOTE

Date
23/09/2016

ALL DIMS IN MM
UNLESS STATED
DO NOT SCALE

A3



SS HINGE - 60 x 60

9810-63301

Edition
2

Sheet
1 / 1

A

6 1 5 1 4 3 1 2 1 1