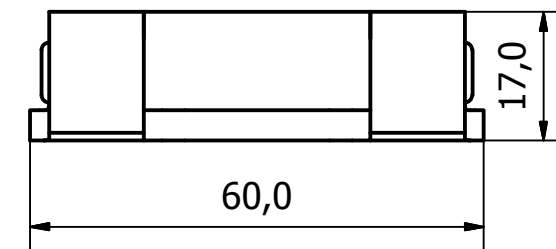
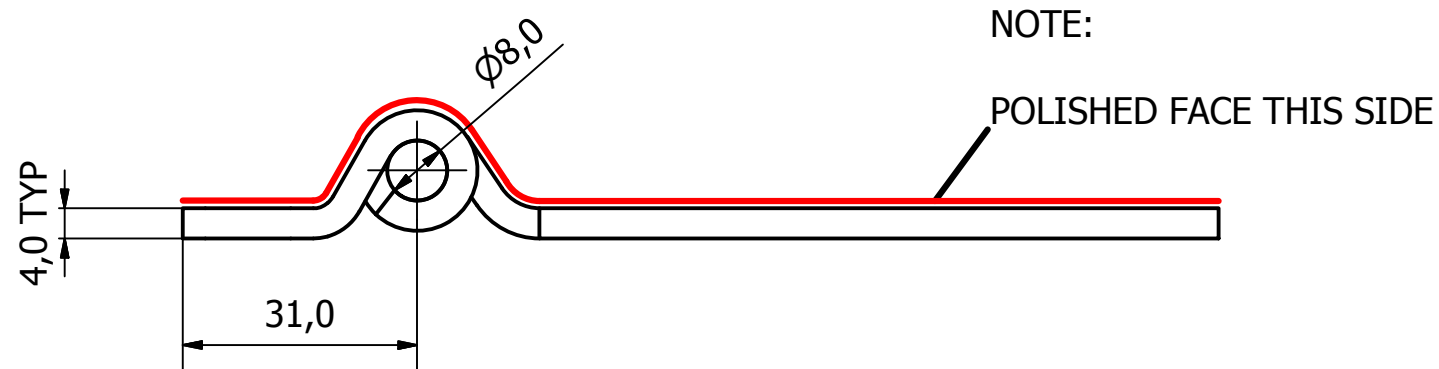
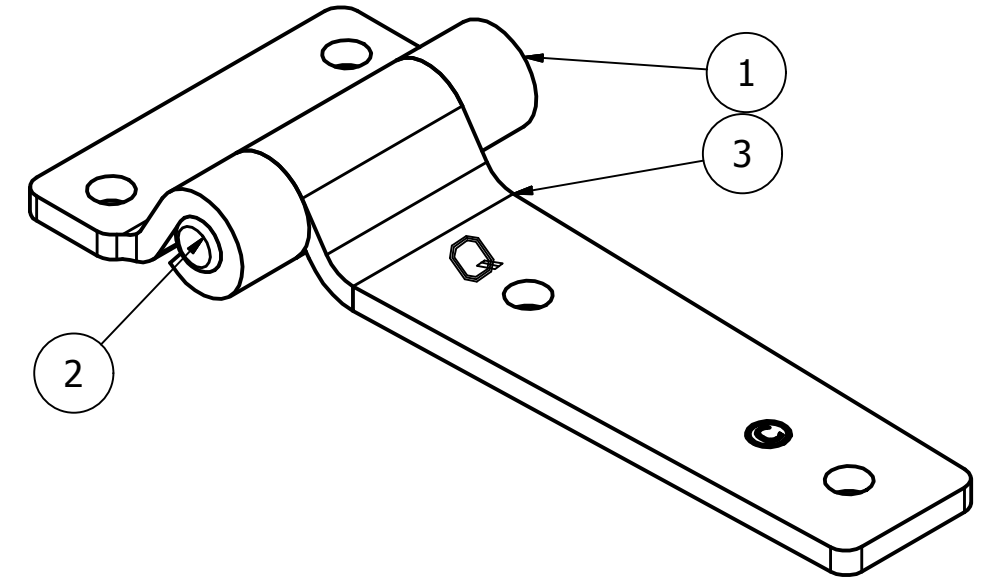
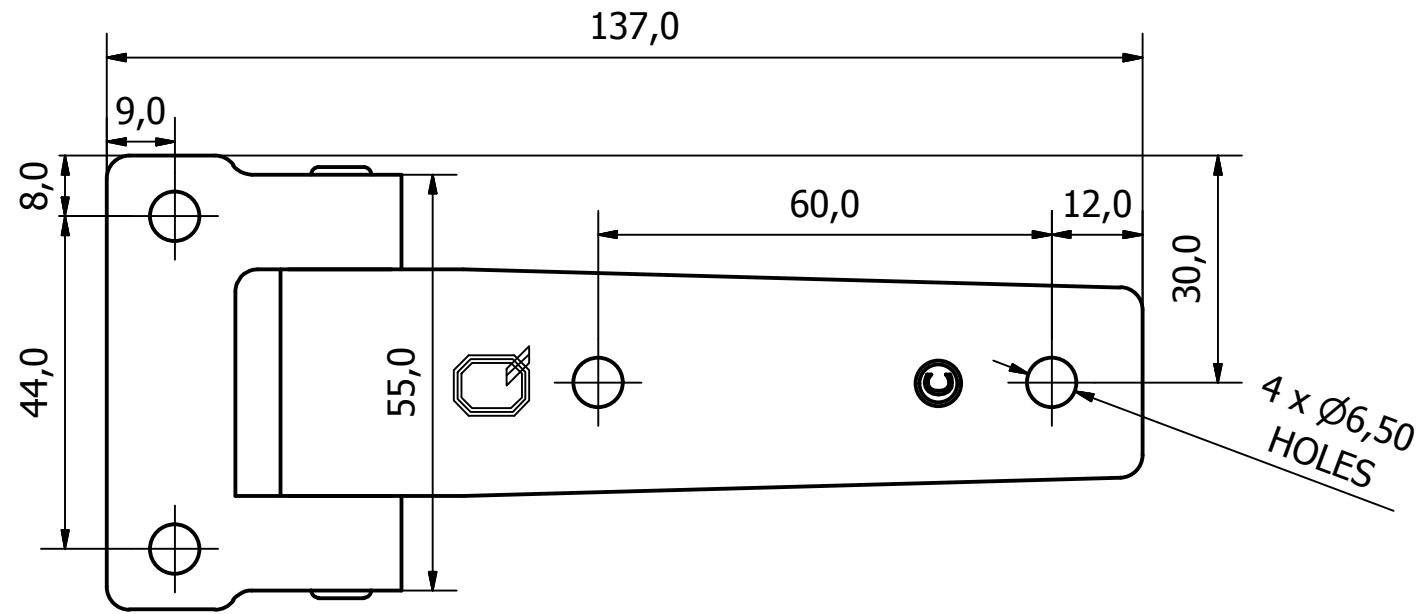


PARTS LIST			
ITEM	QTY	PART NUMBER	DESCRIPTION
1	1	9820-1061-1	HINGE BASE PLATE
2	1	9820-1061-2	HINGE PIN
3	1	9820-1061-3	HINGE MAIN PLATE



1	VALIDATION COMPLETE	25/10/16	A.P
REV	DESCRIPTION	DATE	APPROVED

GENERAL TOLERANCES ON LENGTHS
0.5 - 6 ± 0.1mm
6 - 30 ± 0.2mm
30 - 120 ± 0.3mm
120 - 400 ± 0.5mm
400 - 1000 ± 0.8mm
1000 - 1200 ± 1.2mm
2000 - 4000 ± 2.0mm

ALBERT JAGGER LTD  
 GREEN LANE  
 WALSALL PHONE: 01922 471000  
 WEST MIDLANDS FAX: 01922 648021  
 WS2 8HG

THIS DRAWING & THE DESIGN SHOWN ARE THE PROPERTY OF ALBERT JAGGER LTD AND MUST NOT BE USED OR COPIED BY A THIRD PARTY WITHOUT PERMISSION

DRAWN BY  
U.F

CHECKED BY  
A.P

THIRD ANGLE PROJECTION

SCALE  
1 : 1

MATERIAL  
-

MASS  
0.210 kg

FINISH  
SEE NOTE

Date  
19/09/2016

ALL DIMS IN MM UNLESS STATED DO NOT SCALE

A3



PRESSED SS HINGE - 8MM PIN POLISHED

9820-1061

Edition  
1

Sheet  
1 / 1